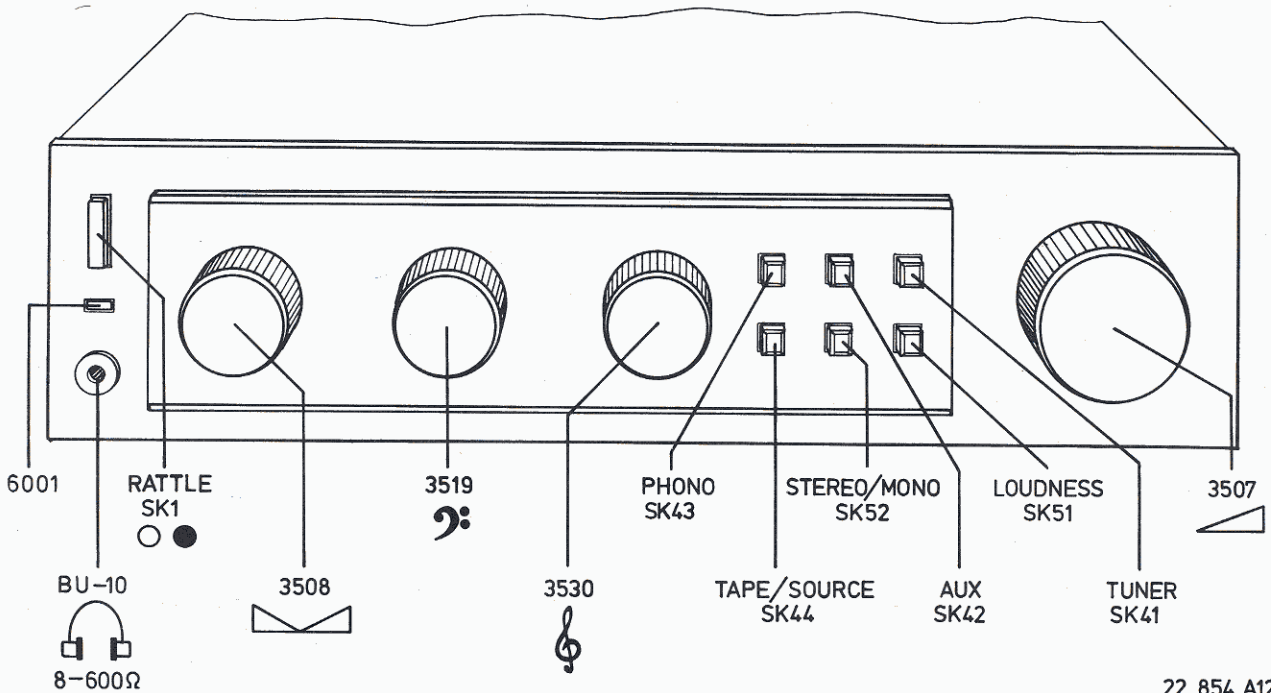


Service  
Service  
Service

# Service Manual



22 854 A12



GB  
For m  
comm

F  
Pour l  
consul

I  
In mo  
preghi

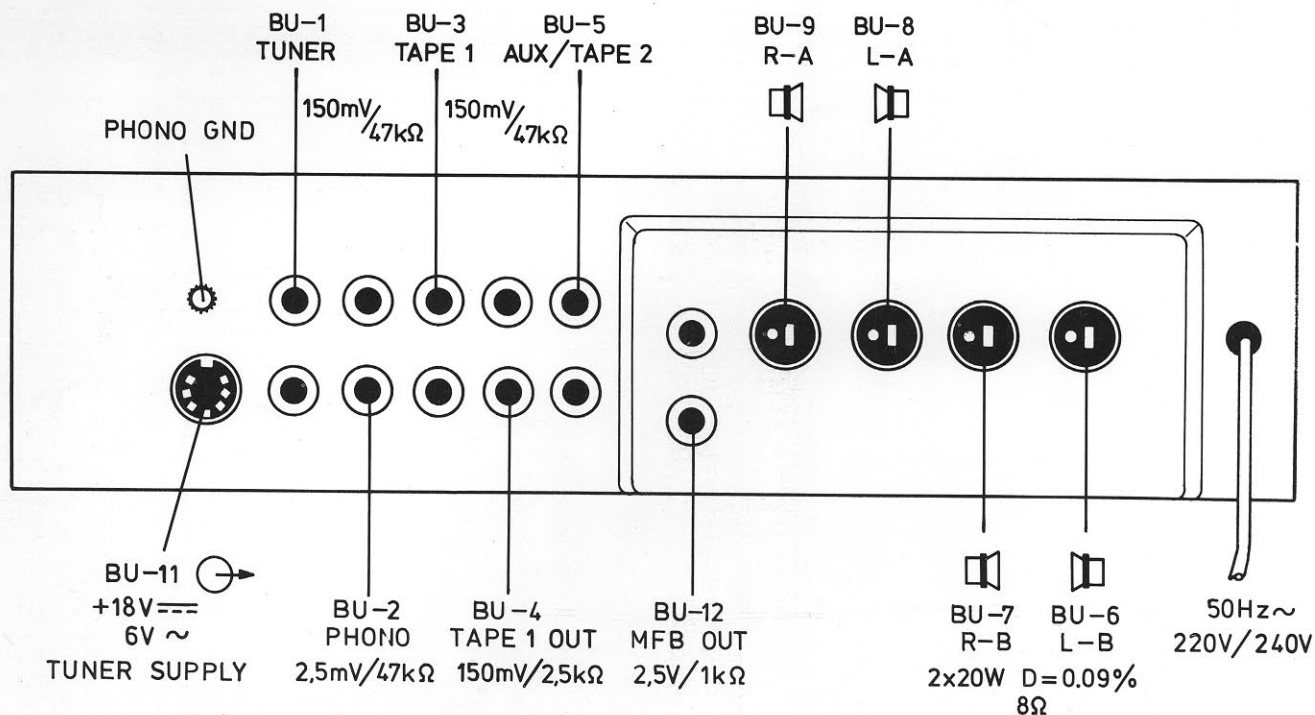
DK  
For me

GB  
Safety  
condi  
be use

NL  
Veilig  
zijn o  
identi

F  
Les no  
d'origi  
à celle

D  
Bei jec  
beacht  
für Re



2 2855A2

(GB)

For more detailed technical specifications please consult commercial documentation.

(F)

Pour l'obtention de données techniques plus détaillées veuillez consulter la documentation commerciale.

(I)

In modo da ottenere dati tecnici più particolareggiati, vi preghiamo di riferirvi alla documentazione commerciale.

(DK)

For mere detaljerede specifikationer, se tekniske datablade.

(GB)

Safety regulations require that the set be restored to its original condition and that parts which are identical with those specified, be used.

(NL)

Veiligheidsbepalingen vereisen, dat het apparaat bij reparatie in zijn oorspronkelijke toestand wordt teruggebracht en dat onderdelen, identiek aan de gespecificeerde, worden toegepast.

(F)

Les normes de sécurité exigent que l'appareil soit remis à l'état d'origine et que soient utilisées les pièces de rechange identiques à celles spécifiées.

(D)

Bei jeder Reparatur sind die geltenden Sicherheitsvorschriften zu beachten. Der Originalzustand des Geräts darf nicht verändert werden; für Reparaturen sind Original-Ersatzteile zu verwenden.

(NL)

Voor meer uitgebreide technische specificaties gelieve de commerciële documentatie te raadplegen.

(D)

Für eine mehr detaillierte technische Spezifikation verweisen wir auf die kommerzielle Dokumentation.

(S)

För mera detaljerade tekniska data se kommersiell dokumentation.

(SF)

Yksityiskohtaisempia teknisiä tietoja tarvittaessa katso kaupallinen esite.

(I)

Le norme di sicurezza esigono che l'apparecchio venga rimesso nelle condizioni originali e che siano utilizzati i pezzi di ricambio identici a quelli specificati.

(S)

Säkerhetsbestämmelserna kräver att varje reparation skall utföras korrekt med hänsyn till ursprunglig placering av komponenter, ledningar etc. och med användning av föreskrivna reservdelar.

(DK)

Myndighedernes sikkerheds- og radiostøjbestemmelser kræver, at enhver reparation skal udføres korrekt m.h.t. overholdelse af originalplacering og montering af komponenter, ledningsbundter, etc. og ved anvendelse af de foreskrevne reservedele.

(N)

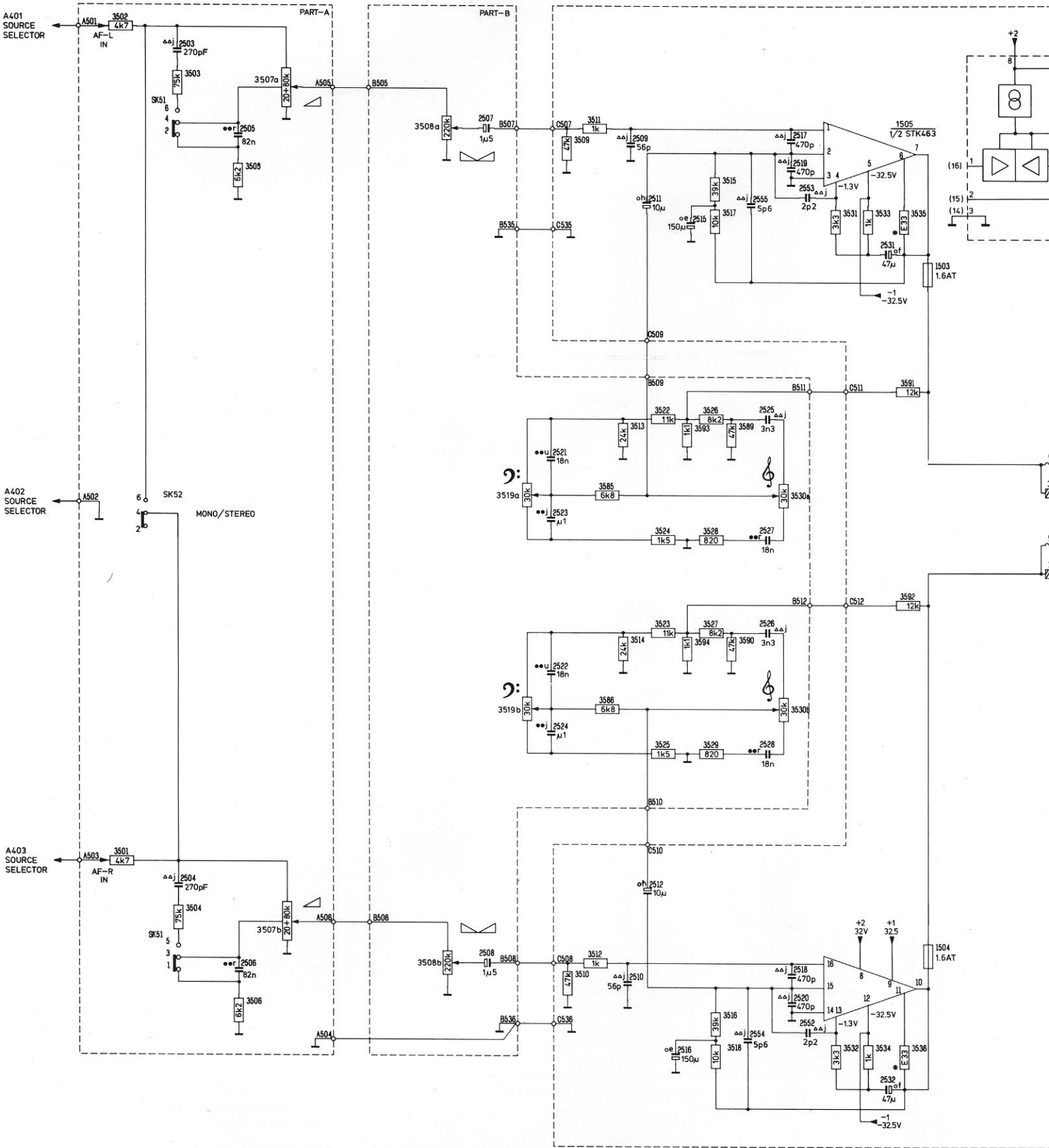
Sikkerhetsbestemmelser kreves at apparatet blir gjenopprettet til original utførelse og at deler som er identiske med de som er spesifisert, blir benyttet.

(SF)

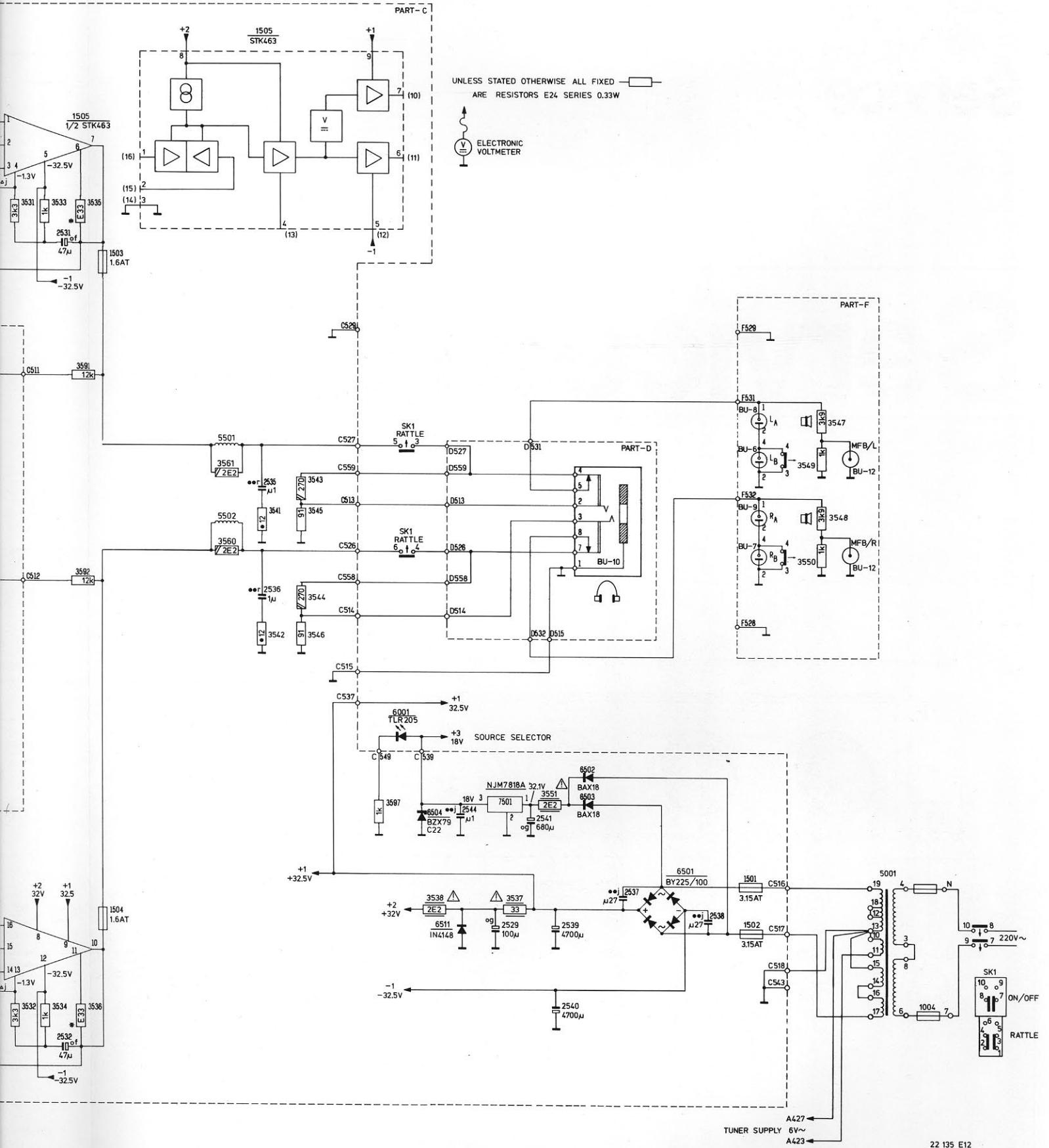
Korjatessa laitetta on turvallisuussyistä ehdottomasti enetetävä oikein ja käytettävä tehtaan määrittämiä alkuperäisvaraosia.

# TC+POWER UNIT 1001

MISC.	SK51.52				6511										1505			1503.1504			5501
C	2503.2504	2505.2506			2507.2508	2521+2524	2509+2512.2515.2516.2555.2554.2525+2528.2517+2520.2553.2552.2529.2531.2532														
R	3502.3501	3503.3504	3505.3506	3507	3508	3519.3509+3514.3585.3586.3522+3529.3593.3594.3515+3518.3589.3590.3530	3531+3536.3591.3592													3561	

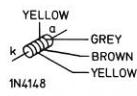
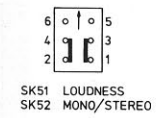
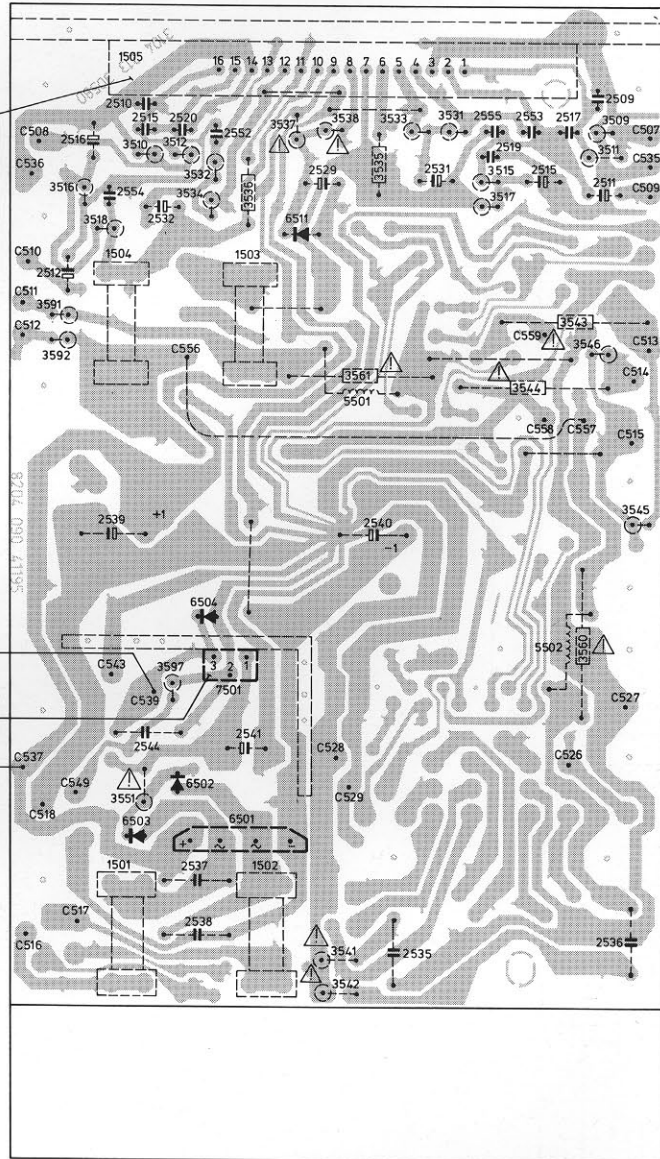
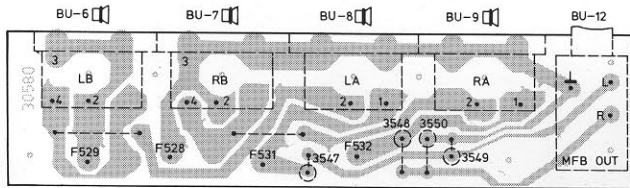


1505	1503.104	5501.5502 1505	6001.6504	6511 7501	6502.6503	6501	1501.1502	5001	1004	SK1
20.2553.2552.2529.2531.2532		2535.2536	2544	2529	2541	2537.2539.2540	2538			
3531+3536.3591.3592		3561.3560.3541+3546	3597	3538	3537	3580.3551		3547+3550		



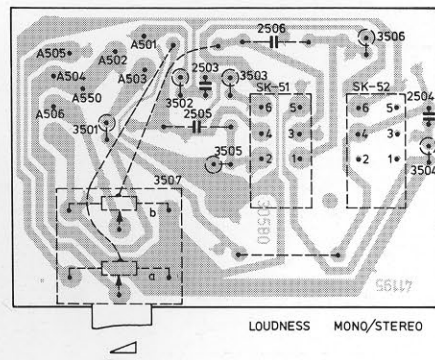
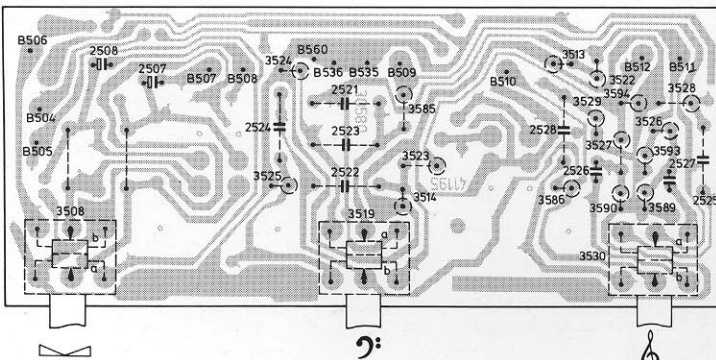
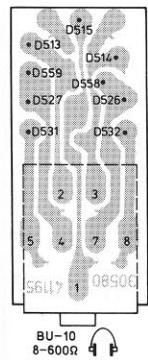
MISC	BU-6, BU-10	BU-7	BU-8	BU-9	BU-12	1505	1501+1504, 6502+6504, 7501, 6501, 6511, 5501	SK-51	5502	SK-52
C		2508	2507	2521+2524		2512, 2516, 2554, 2510, 2515, 2532, 2520, 2552, 2541	2529, 2535, 2540	2531	2555, 2519, 2553, 2515, 2517, 2511, 2509	
R		3541	3548+3550			2525+2528, 2594, 2737+2539	2505, 2503	2506	2504	2536
R		3508		3525, 3524	3519	3525, 3523	3514, 3586, 3522, 3594, 3526+3530, 3551, 3590, 3597, 3593, 3589	3541, 3542, 3501, 3507, 3502, 3505, 3503	3506, 3560	3545, 3504

TC-POWER UNIT 1001



SK51 LOUDNESS  
SK52 MONO/STEREO

ELECTRONIC VOLTMETER

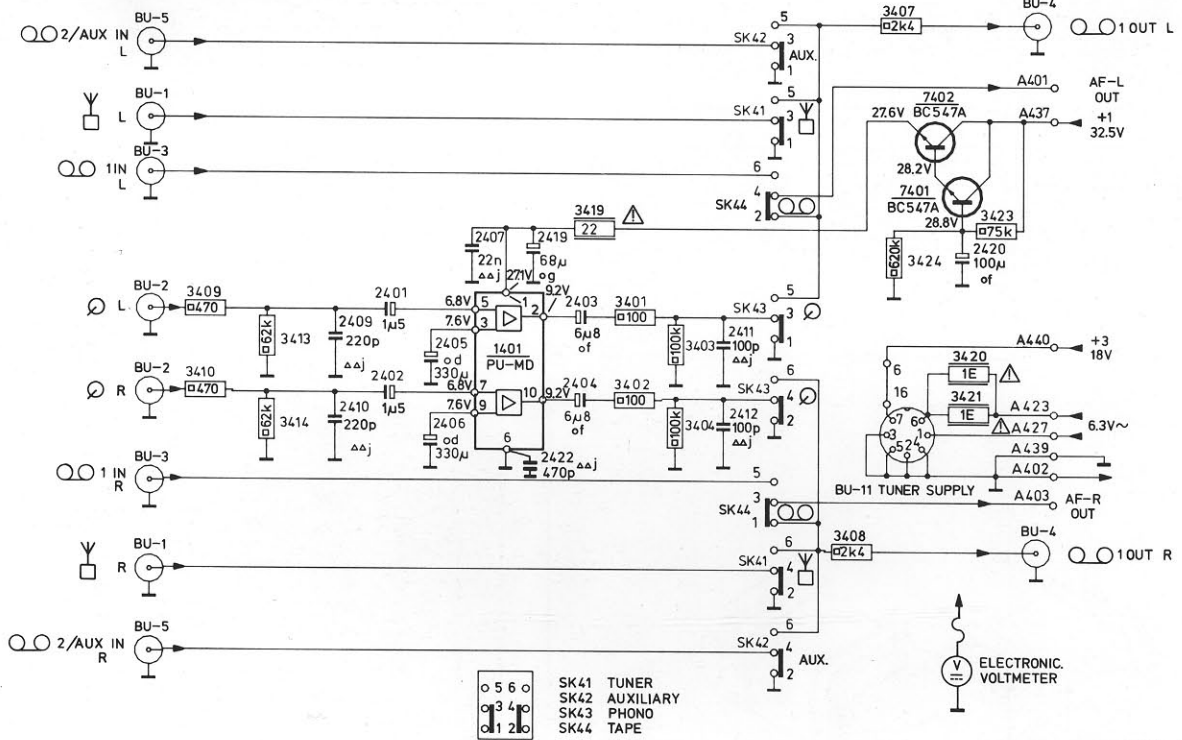


- 1401
- 1= 27.1V
  - 2= 9.2V
  - 3= 7.6V
  - 5= 6.8V
  - 6= 1
  - 7= 6.8V
  - 9= 7.6V
  - 10= 9.2V



SK-52  
2517,2511,2509  
2504 2536  
543,3511,3509,3546  
3560 3543,3504

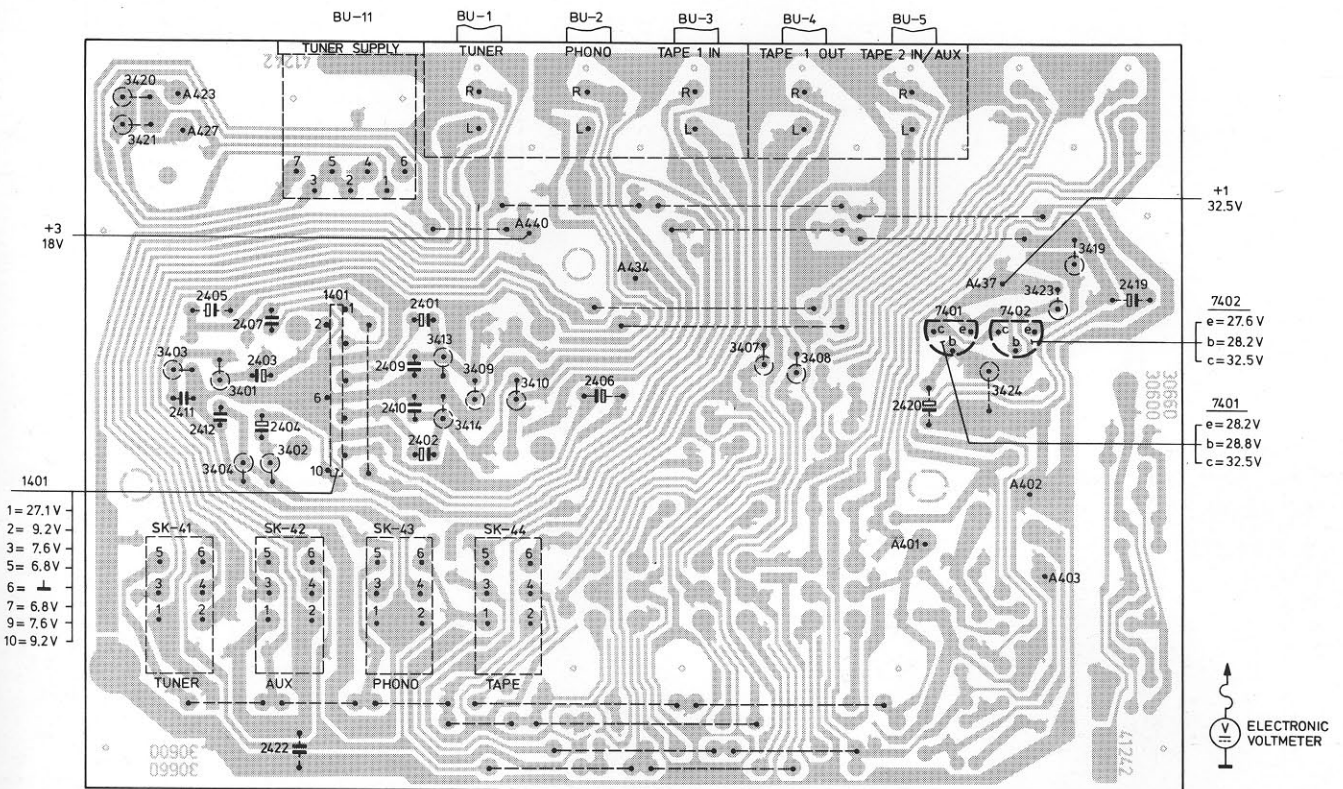
### SOURCE SELECTOR UNIT 1002



22 134 C12

### SOURCE SELECTOR UNIT 1002

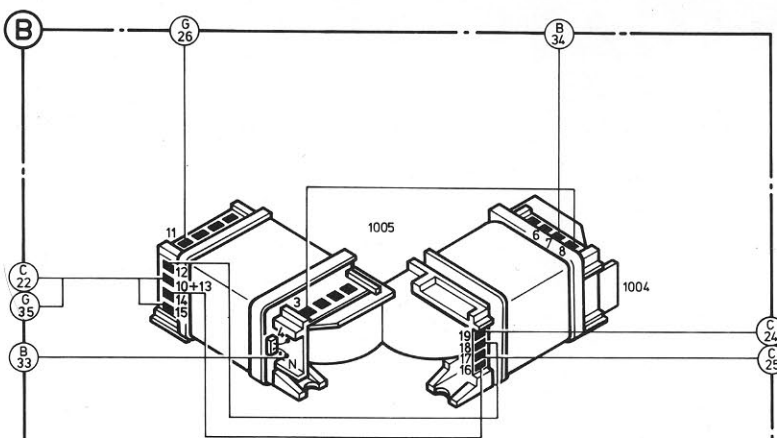
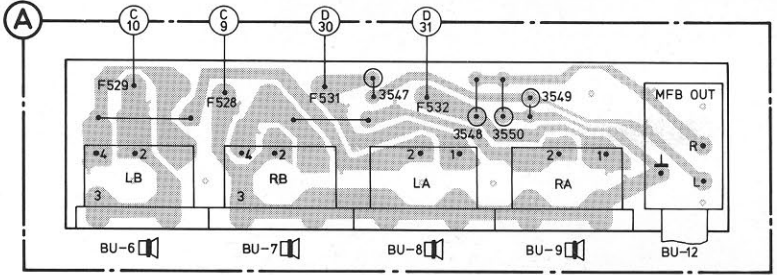
MISC	SK-42	SK-42,1401, BU-11	SK-43	BU-1, SK-44	BU-2	BU-3	BU-4	BU-5, 7401	7402	2419
C	2411, 2405, 2412, 2405, 2404, 2407, 2422	2409, 2410, 2401, 2402			2406			2420		2419
R	3420, 3421, 3401 ÷ 3404		3413, 3414, 3409, 3410				3407, 3408		3424, 3423, 3419	



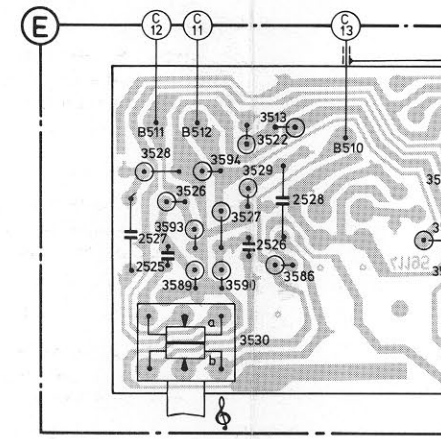
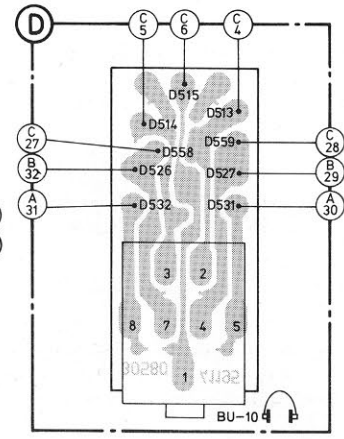
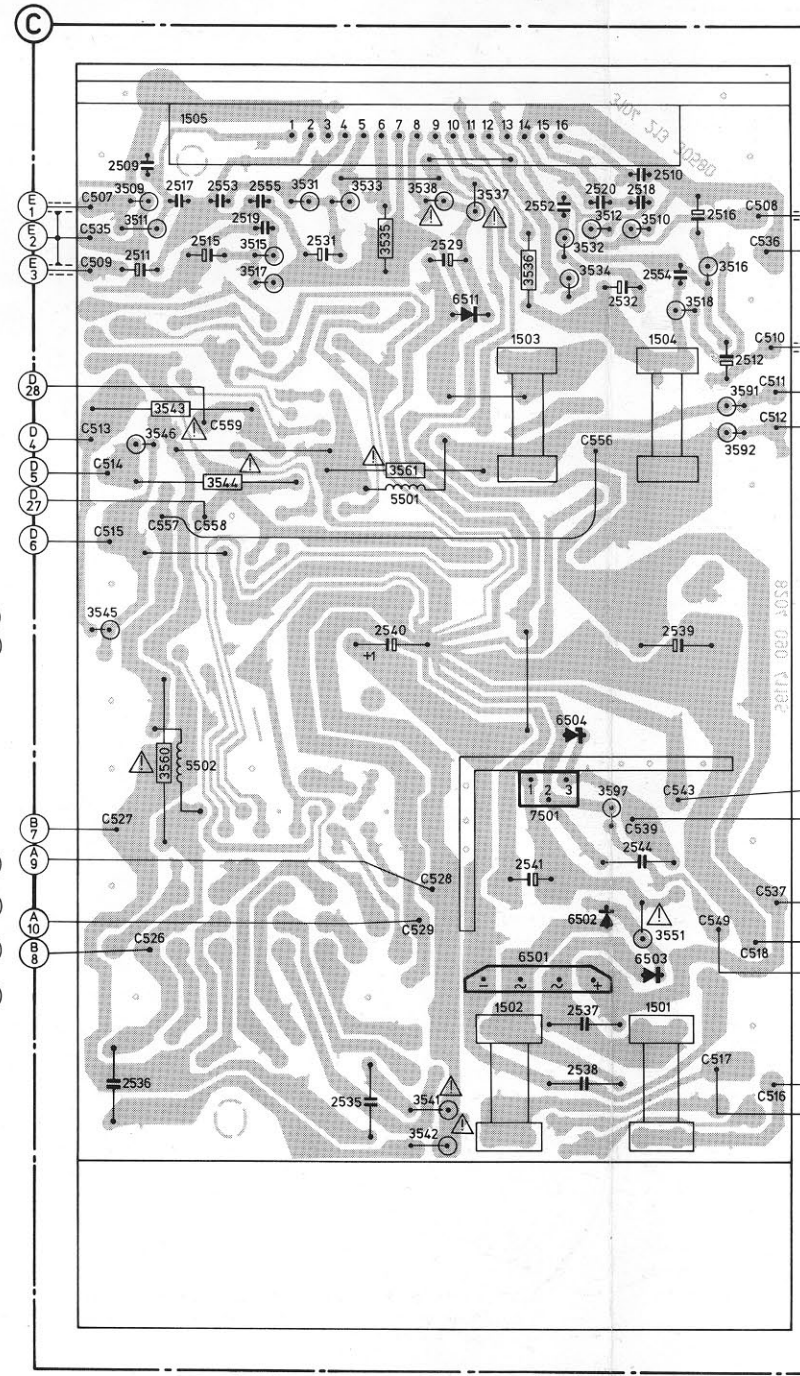
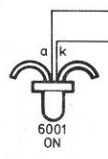
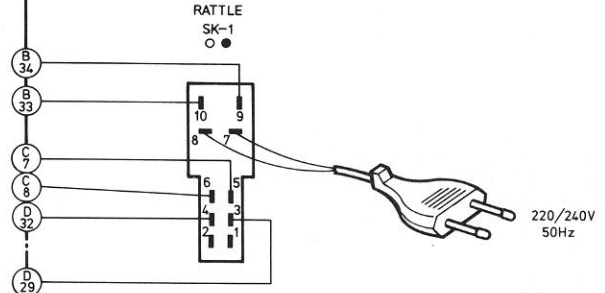
- 1= 27.1V
- 2= 9.2V
- 3= 7.6V
- 5= 6.8V
- 6= 1.4V
- 7= 6.8V
- 9= 7.6V
- 10= 9.2V

22 951D12

MISC	BU-6	SK-1	BU-7	1005	BU-8	BU-9	6001.1004	BU-12	1505.5502.BU-10	5501	6511.1501-1504.6501.7501.6502-6504
C	2536.2509.2511.2517.2553.2555 2531 2529 2541.2552 2520.25 8 2510.2554.2516										
R	2515 2519 2535.2540 2525-2528.2537.2538.2542.2544.2539.2512										
R	3547 3548.3550 3549 3509.3511.3560.3543-3546.3517.3515.3531.3533.3535.3538.3561.3537.3536.3597.3532.3534.3512.3510.3518.3516.3591										
R	3541.3542.3526-3530.3589.3593.3591.3590.3522.3513.3586.3551.35										



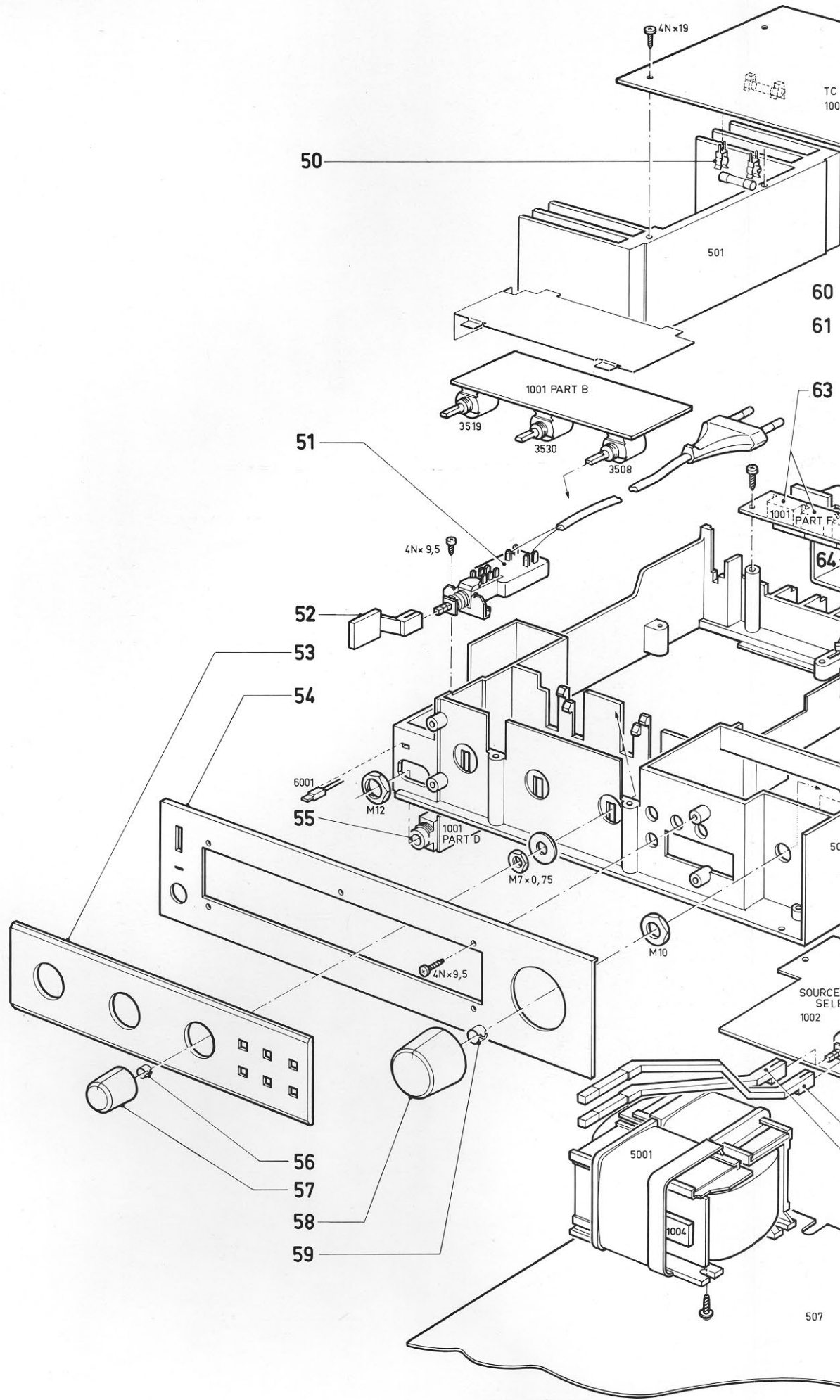
- COOLBRACKET  C 36
- SCREEN  G 37
- FRONT  G 38
- PHONO GND  G 39

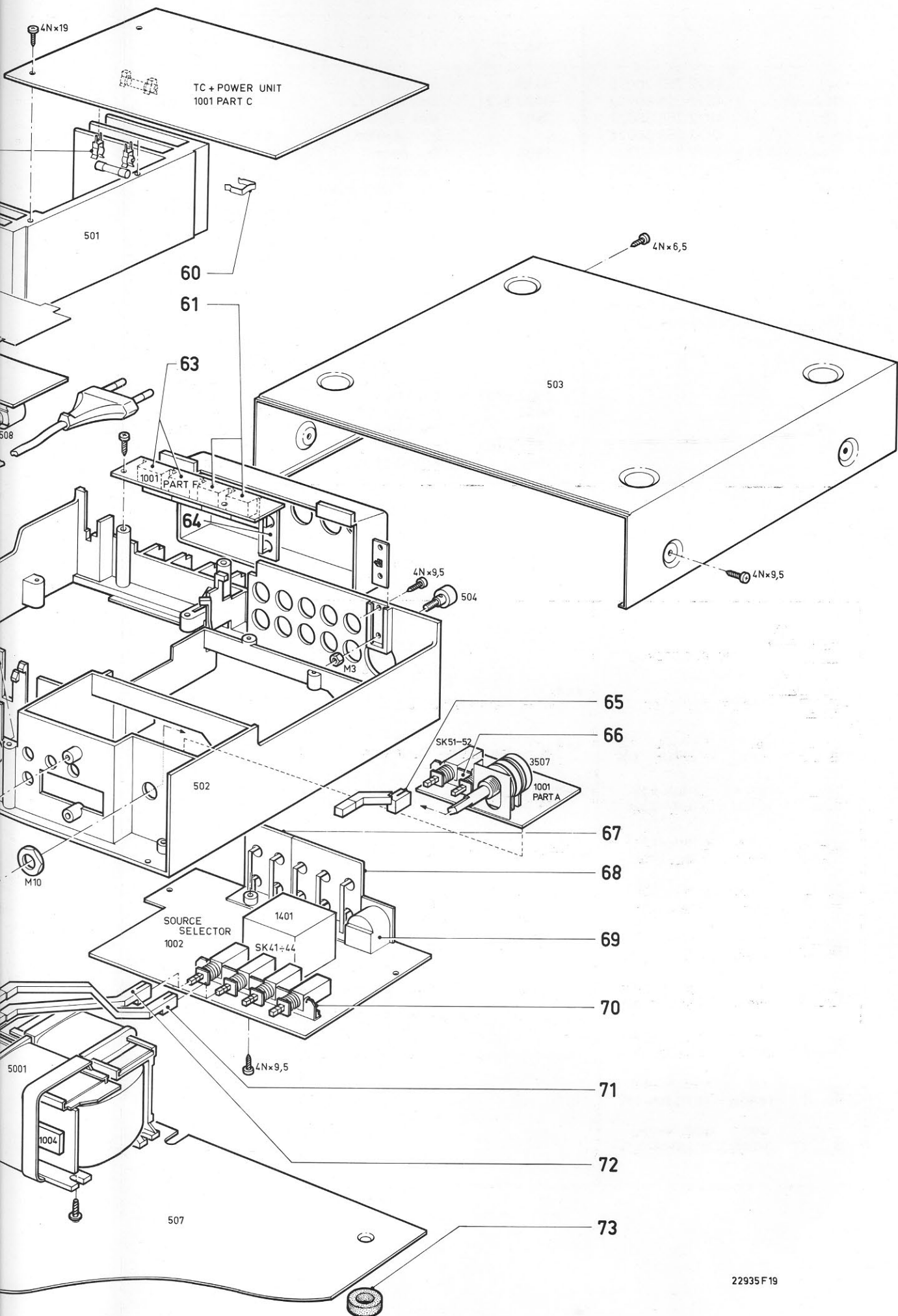




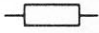



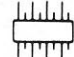



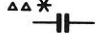

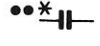
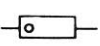

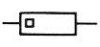
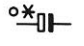

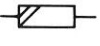

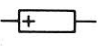
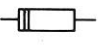
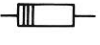
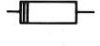
- 50 4822 492 60063
- 51 4822 276 10867
- 52 4822 410 40218
- 53 4822 426 50459
- 54 4822 426 50454
- 55 4822 267 30357
- 56 4822 532 10284
- 57 4822 413 30947
- 58 4822 413 40954
- 59 4822 492 60268
- 60 4822 255 40179
- 61 4822 267 30264
- 63 4822 267 30271
- 64 4822 267 30318
- 65 4822 410 40219
- 66 4822 276 20266
- 67 4822 267 40341
- 68 4822 267 50277
- 69 5322 267 54076
- 70 4822 276 40258
- 71 4822 410 40221
- 72 4822 410 40222
- 73 4822 462 40416





22935 F 19

-Miscellaneous-					
1004	Thermostat	4822 252 20079	3419	Safe res. 22 Ω	4822 111 30517
1401	MD THIFI unit	4822 214 50222	3420,3421	Safe res. 1 Ω	4822 111 30483
1501,1502	Fuse 3,15 AT	4822 253 30027	3507	Vol. potm. 2x(20+80K)	4822 102 30355
1503,1504	Fuse 1,6 AT	4822 253 30024	3508	Bal. potm. 2x220K	4822 102 30352
1505	Power modul STK463	4822 214 50227	3519,3530	Bass Treble potm. 2x30K	4822 102 30353
5001	Mains trafo	4822 146 40268	3535,3536	W.W. res. 0,33 Ω-5 W	4822 116 51309
5501,5502	Trafo fuse	4822 252 20017	3537	Safe res. 33 Ω	4822 111 30004
	Coil 3,6 μH	4822 157 50718	3538	Safe res. 2,2 Ω	4822 111 30492
			3551	Safe res. 2,2 Ω	4822 111 30315
			  		
2401,2402 } 2507,2508 } 2539,2540 }	Elco low leak 1,5 μF - 50 V Elco 4700 μF - 35 V	4822 124 20723 4822 124 20791	6001	LED Red TLR205	4822 130 31412
			6501	BY225-100	4822 130 30917
			6502,6503	BAX18	4822 130 34121
			6504	BZX79/C22	4822 130 34441
			6511	IN4148	4822 130 30621
			7401,7402	BC547A	4822 130 41019
			7501	NJM78M18A	4822 209 80675

	SPRING RESISTOR			CERAMIC PLATE
	SAFETY RESISTOR			POLYESTER FLAT FILM
	0.2 W < 220kΩ 5% (CR16) > 270kΩ 10%			POLYESTER MEPOLESCO
	0.33W ≤ 1MΩ 5% (CR25) > 1MΩ 10%			SINGLE ELCO
	0.5W ≤ 1MΩ 5% (CR37) > 1MΩ 10%		* a = 2.5V      g = 40V      r = 250V	
	0.67W ≤ 1MΩ 5% (CR52) > 1MΩ 10%		b = 4V          h = 63V      s = 350V	
	1.5W ≤ 1.6MΩ 5% (CR68) > 1.6MΩ 10%		c = 6.3V        j = 100V     u = 400V	
	0.5W HIGH VOLTAGE (VR37) RESISTOR 5%		d = 10V          l = 125V     v = 500V	
	4W WIRE WOUND (WR0617) RESISTOR 5%		e = 16V          m = 150V     w = 630V	
	7W WIRE WOUND (WR0825) RESISTOR 5%		f = 25V          q = 200V     x = 1000V	
	11W WIRE WOUND (WR0842) RESISTOR 5%			

20716 B20